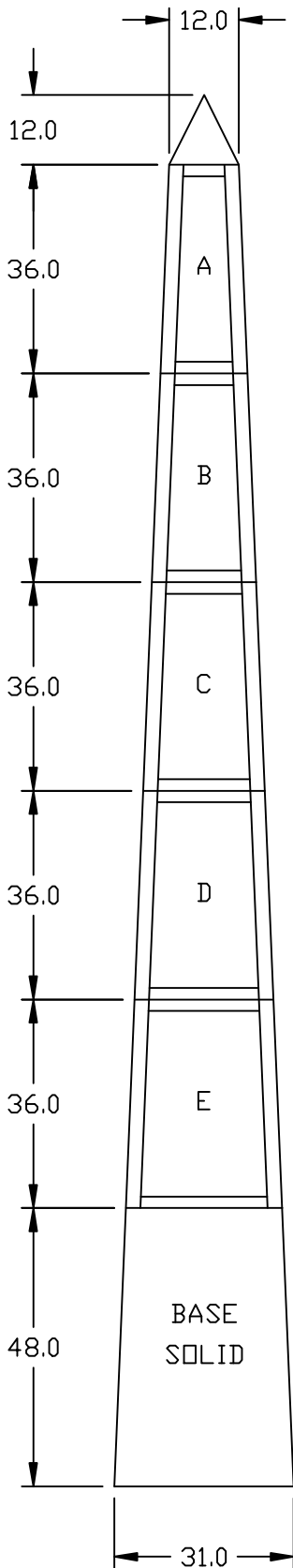


# CanIRON VII OBELISK PROJECT



*Section A, CanIRON Committee*  
*Section E, CanIRON Demonstrators*  
*Section B, C & D by Blacksmiths at large (please confirm desired panel)*  
*and Hands on at the conference.*  
*Dimensions are in inches*  
*There are four panels of each size*

